

ALUMINIUM IN ARCHITECTURE

ST COR VISION PLUS

FDI

FACADE DESIGN INC.

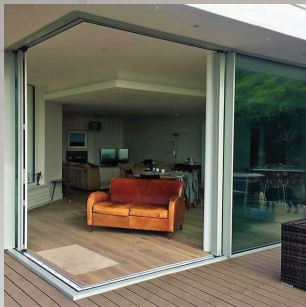


ST COR VISION PLUS



WWW.FACADEDESIGNINC.COM

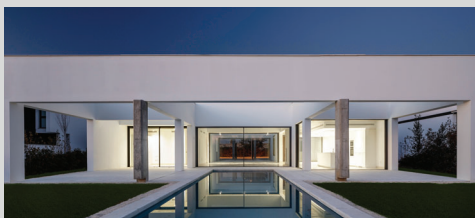
ST COR VISION PLUS



Our ST Cor Vision Plus sliding door is designed for large dimensions, to maximise luminosity. It displays a 94% glass surface, with a slimline central interlock showing only 2" of aluminium section. The workings of this slider incorporate rollers in the frame, and each sash comes with a stainless steel reinforced channel, making it one of the smoothest sliding doors across the whole range.

The ST Cor Vision Plus is available as a motorized or manual sliding door. You can also install this system as a 90-degree corner sash without the need for mullions, extending your living or office space while increasing natural light.

This extraordinary door can reach optimal thermal and acoustic performance levels due to a glazing capacity of up to 2-1/4". Its available in configurations of two, four or six sliding/fixed sashes with the possibility of one, two or even three rails. It also comes with a multi-point locking system through the operational rod for added security.





ST COR VISION PLUS FEATURES

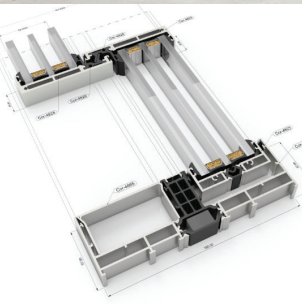
- Maximum glazing thickness is 2-1/8"
- Opening possibilities - Sliding of 2, 4 or 6 sashes.
Possibility of 1 rail and 3 rails /1 sash + 1 fixed /2 sashes
+ 1 fixed / Possibility of corner sash encounters at 90°
without mullions
- Sections - Frame: 7-1/16" to 10-15/16", 3 rails / Sash: 2-3/4"
- Door Profile thickness: 1/16"
- Polyamide strip length: 11/16" to 1-9/16"
- Maximum dimensions / sash is 157-1/2" x 157-1/2" -
Glass surface ≤ 150 ft²
- Maximum weight / sash is 881 lbs manual and 1543 lbs
motorized. Please consult regarding maximum weight
and dimensions for other opening types
- Available in single or dual colour
- Qualicoat Powder Coating



Test Standards	Regulation	Class
U Value:		0.9W/ m ² K
Air Permeability	(UNE-EN 12207:2000)	Class 4
Water Tightness	(UNE-EN 12208:2000)	7A*/9A**
Wind Resistance	(UNE-EN 122010:2000)	Class C5

*Test - Balcony 157-1/2" x 118-1/8", 2 sashes
 **Test - Balcony 157-1/2" x 118-1/8", 1 sash, 1 fixed





FDI
FACADE DESIGN INC.